

6 1 5 1 4 3 1 2 1 1

D

D

C

C

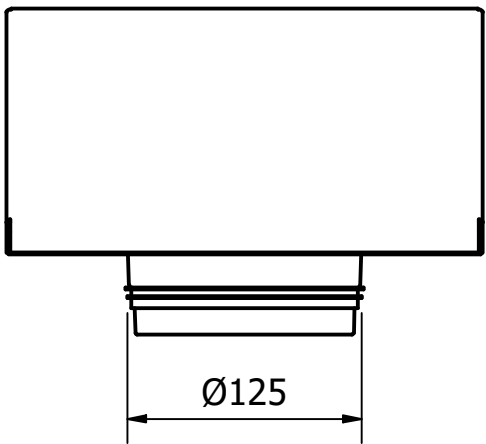
B

B

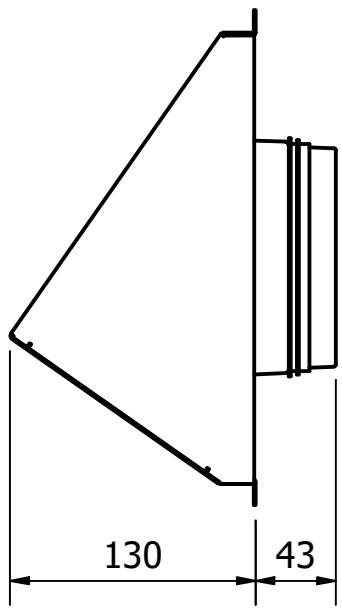
A

A

6 1 5 1 4 3 1 2 1 1

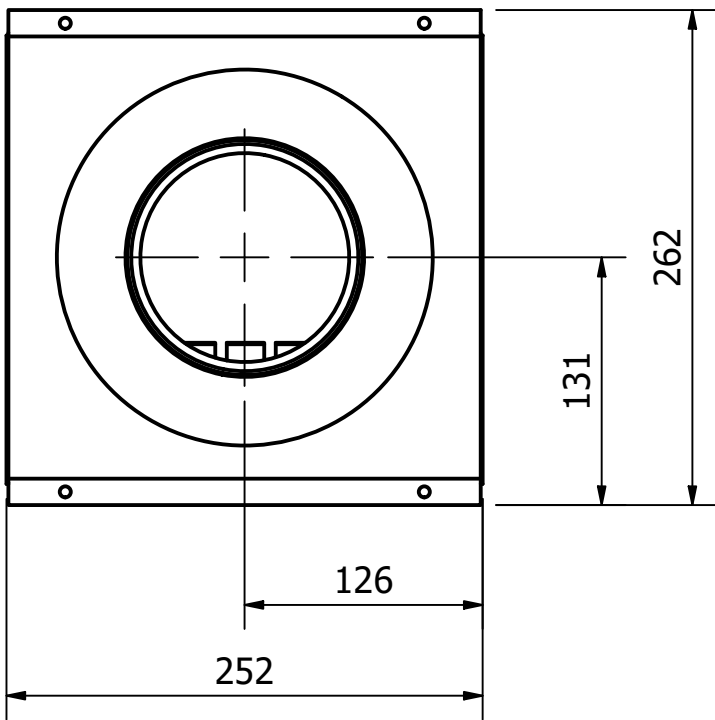


Ø125



130

43

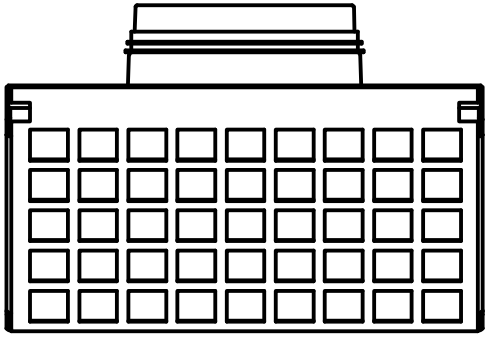


262

131

126

252



\* Including Mounting Material

PART NAME Wall duct Alu Ø125 RAL9005 black				
DRAWING NUMBER VENT-AXIA 8000001225		MATERIAL	REVISION HISTORY	
FABRICATION	COLOUR RAL 9005	SCALE 1 : 4	DATE 17-11-2020	BY
PROJ A-A	Tolerance (Unless otherwise stated)	UNITS mm	SIZE A3	DRAWN BY <i>Vent-Axia</i>
From [mm]	0 30 300	Ang.	±1°	REVIEWED BY
Till [mm]	30 300 300+			
Tol. [mm]	±0,1 ±0,4 ±0,8			

RAL 9005